

Binghamton Metropolitan Transportation Study

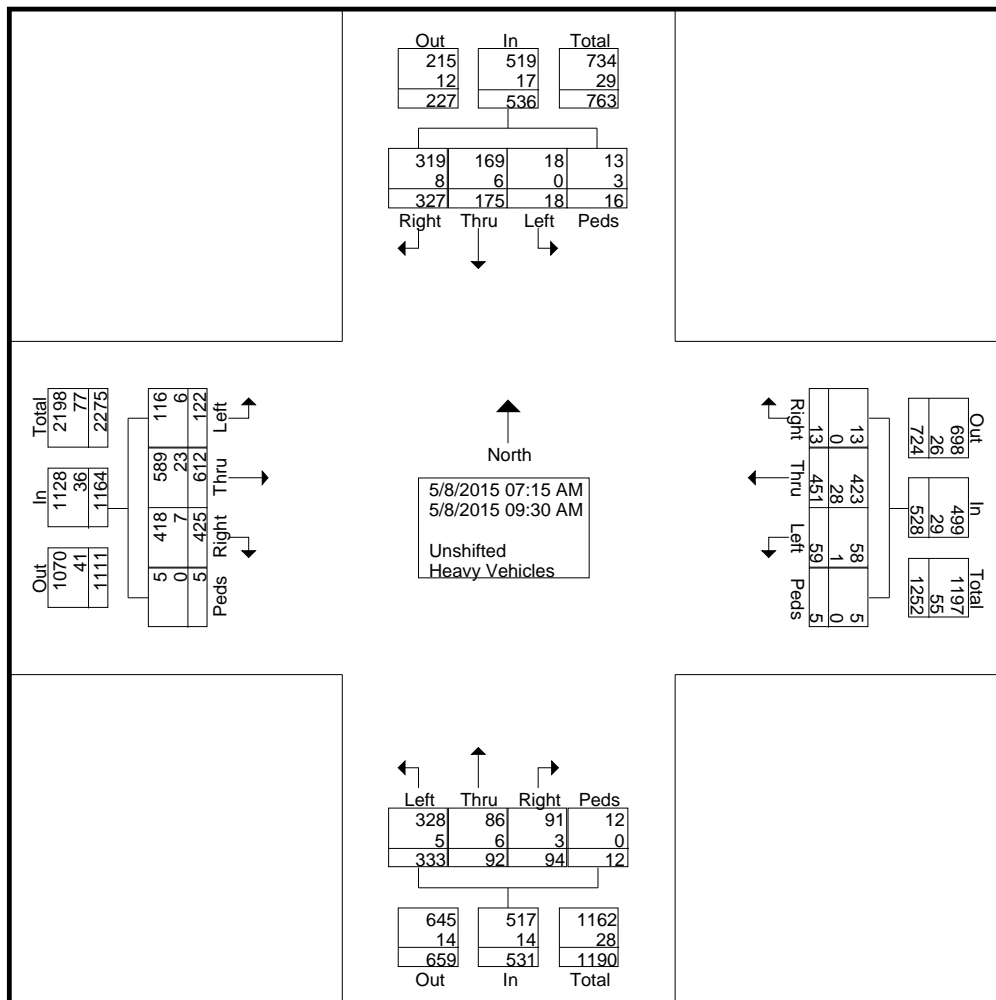
PO Box 1766
 Binghamton, NY 13902
Your Tagline Here

Bobby Portorsnok
 Conklin and Tompkins
 Binghamton
 Sunny and Hot

File Name : Conklin and Tompkins PM 2015
 Site Code : 62
 Start Date : 5/8/2015
 Page No : 1

Groups Printed- Unshifted - Heavy Vehicles

Start Time	From North					From East					From South					From West					Int. Total
	Right	Thru	Left	Peds	App. Total	Right	Thru	Left	Peds	App. Total	Right	Thru	Left	Peds	App. Total	Right	Thru	Left	Peds	App. Total	
07:15 AM	37	11	1	1	50	5	29	4	0	38	9	4	19	3	35	20	46	15	0	81	204
07:30 AM	34	21	3	0	58	1	32	8	0	41	19	12	24	1	56	46	63	13	0	122	277
07:45 AM	48	29	0	5	82	0	42	5	1	48	12	13	31	2	58	60	52	6	0	118	306
Total	119	61	4	6	190	6	103	17	1	127	40	29	74	6	149	126	161	34	0	321	787
08:00 AM	38	26	2	0	66	1	50	4	1	56	15	16	34	1	66	61	56	9	0	126	314
08:15 AM	31	13	2	1	47	1	48	7	0	56	8	7	36	2	53	37	65	13	2	117	273
08:30 AM	35	12	0	0	47	2	47	8	1	58	4	7	24	1	36	42	68	19	1	130	271
08:45 AM	26	13	3	3	45	3	46	2	1	52	7	7	48	1	63	43	69	15	0	127	287
Total	130	64	7	4	205	7	191	21	3	222	34	37	142	5	218	183	258	56	3	500	1145
09:00 AM	34	20	5	2	61	0	72	8	1	81	6	9	48	1	64	46	68	11	0	125	331
09:15 AM	21	13	1	1	36	0	40	2	0	42	6	7	35	0	48	39	64	14	1	118	244
09:30 AM	23	17	1	3	44	0	45	11	0	56	8	10	34	0	52	31	61	7	1	100	252
Grand Total	327	175	18	16	536	13	451	59	5	528	94	92	333	12	531	425	612	122	5	1164	2759
Apprch %	61	32.6	3.4	3		2.5	85.4	11.2	0.9		17.7	17.3	62.7	2.3		36.5	52.6	10.5	0.4		
Total %	11.9	6.3	0.7	0.6	19.4	0.5	16.3	2.1	0.2	19.1	3.4	3.3	12.1	0.4	19.2	15.4	22.2	4.4	0.2	42.2	
Unshifted	319	169	18	13	519	13	423	58	5	499	91	86	328	12	517	418	589	116	5	1128	2663
% Unshifted	97.6	96.6	100	81.2	96.8	100	93.8	98.3	100	94.5	96.8	93.5	98.5	100	97.4	98.4	96.2	95.1	100	96.9	96.5
Heavy Vehicles	2.4	3.4	0	18.8	3.2	0	6.2	1.7	0	5.5	3.2	6.5	1.5	0	2.6	1.6	3.8	4.9	0	3.1	3.5
% Heavy Vehicles																					



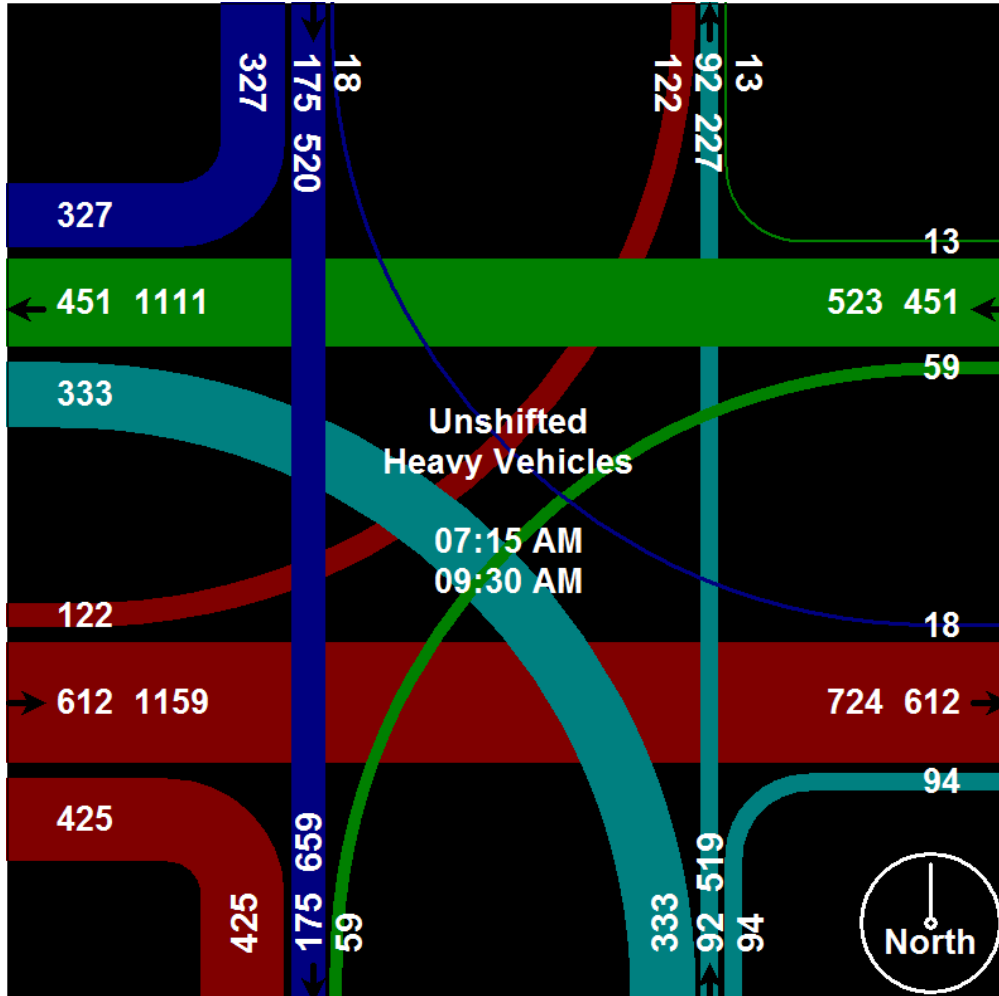
Binghamton Metropolitan Transportation Study

PO Box 1766
Binghamton, NY 13902

Your Tagline Here

Bobby Portorsnok
Conklin and Tompkins
Binghamton
Sunny and Hot

File Name : Conklin and Tompkins PM 2015
Site Code : 62
Start Date : 5/8/2015
Page No : 2



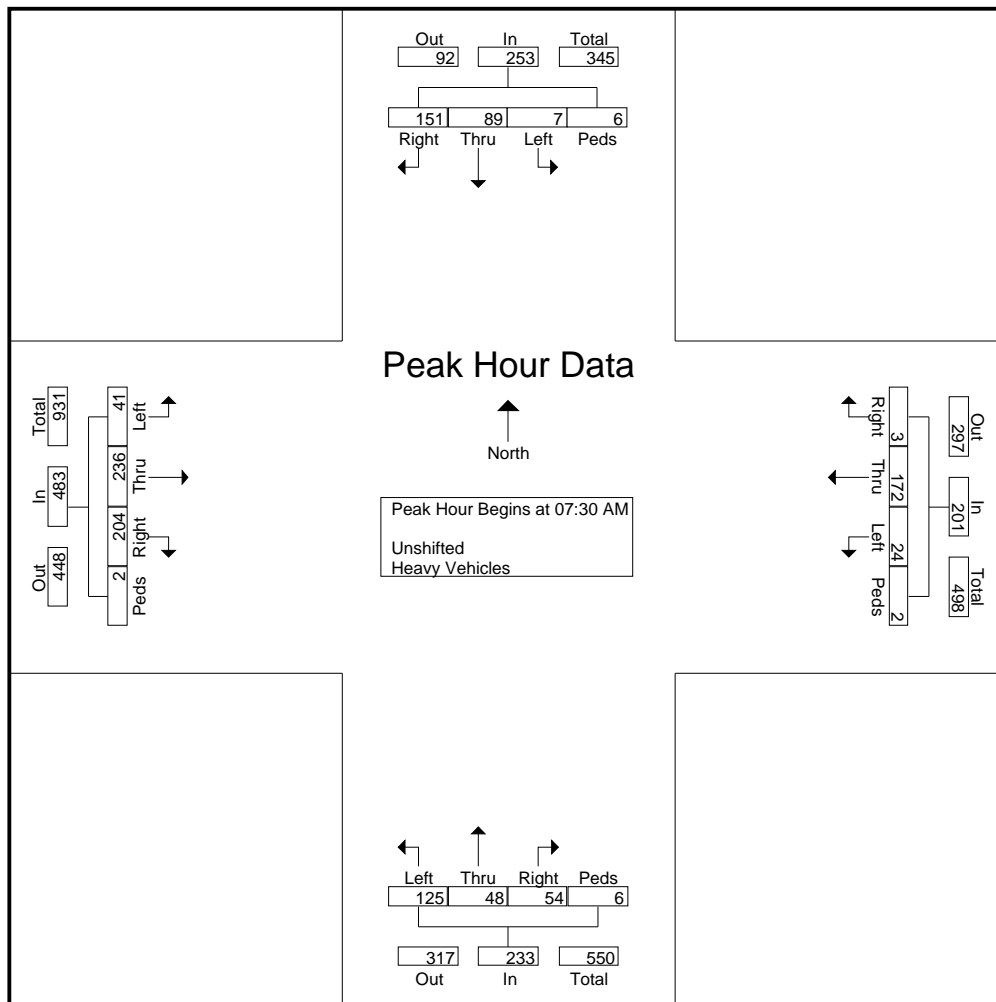
Binghamton Metropolitan Transportation Study

PO Box 1766
 Binghamton, NY 13902
Your Tagline Here

Bobby Portorsnok
 Conklin and Tompkins
 Binghamton
 Sunny and Hot

File Name : Conklin and Tompkins PM 2015
 Site Code : 62
 Start Date : 5/8/2015
 Page No : 3

Start Time	From North					From East					From South					From West					Int. Total
	Right	Thru	Left	Peds	App. Total	Right	Thru	Left	Peds	App. Total	Right	Thru	Left	Peds	App. Total	Right	Thru	Left	Peds	App. Total	
Peak Hour Analysis From 07:15 AM to 09:30 AM - Peak 1 of 1																					
Peak Hour for Entire Intersection Begins at 07:30 AM																					
07:30 AM	34	21	3	0	58	1	32	8	0	41	19	12	24	1	56	46	63	13	0	122	277
07:45 AM	48	29	0	5	82	0	42	5	1	48	12	13	31	2	58	60	52	6	0	118	306
08:00 AM	38	26	2	0	66	1	50	4	1	56	15	16	34	1	66	61	56	9	0	126	314
08:15 AM	31	13	2	1	47	1	48	7	0	56	8	7	36	2	53	37	65	13	2	117	273
Total Volume	151	89	7	6	253	3	172	24	2	201	54	48	125	6	233	204	236	41	2	483	1170
% App. Total	59.7	35.2	2.8	2.4		1.5	85.6	11.9	1		23.2	20.6	53.6	2.6		42.2	48.9	8.5	0.4		
PHF	.786	.767	.583	.300	.771	.750	.860	.750	.500	.897	.711	.750	.868	.750	.883	.836	.908	.788	.250	.958	.932



Binghamton Metropolitan Transportation Study

PO Box 1766
Binghamton, NY 13902

Your Tagline Here

Bobby Portorsnok
Conklin and Tompkins
Binghamton
Sunny and Hot

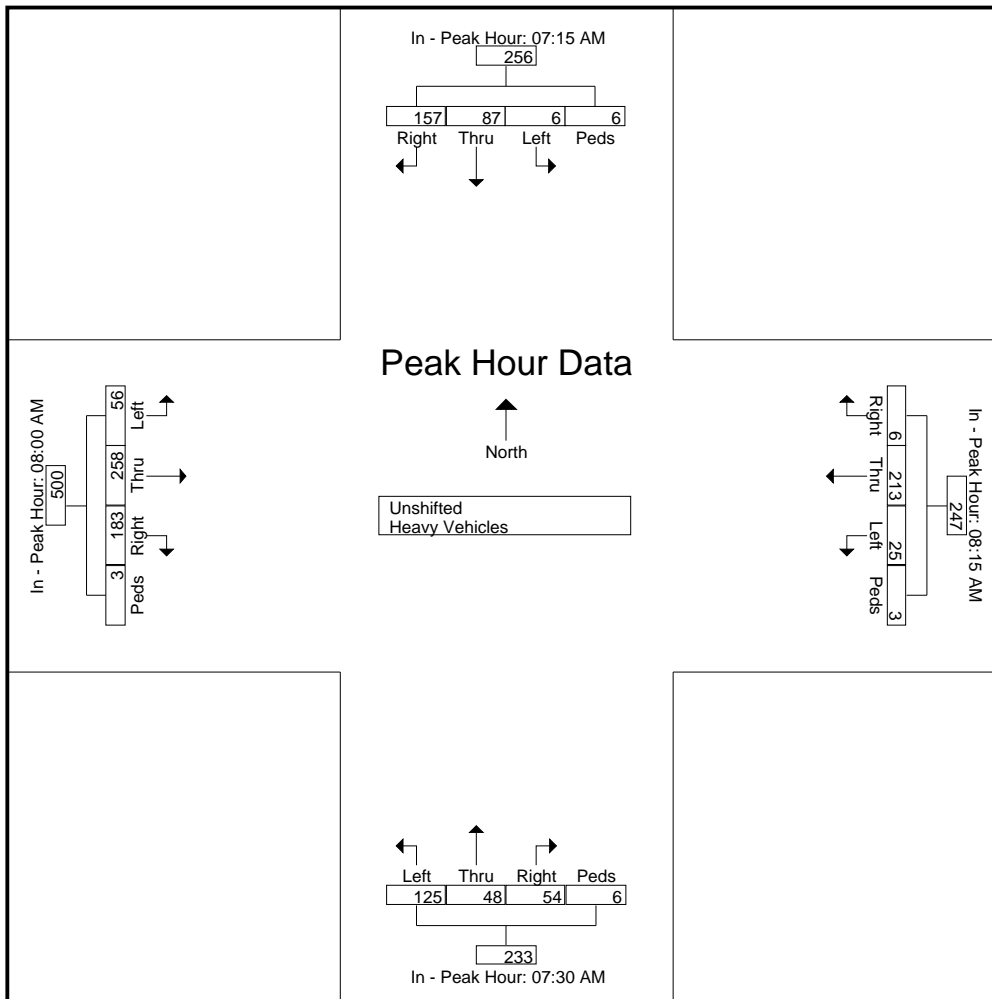
File Name : Conklin and Tompkins PM 2015
Site Code : 62
Start Date : 5/8/2015
Page No : 4

Start Time	From North					From East					From South					From West					Int. Total
	Right	Thru	Left	Peds	App. Total	Right	Thru	Left	Peds	App. Total	Right	Thru	Left	Peds	App. Total	Right	Thru	Left	Peds	App. Total	

Peak Hour Analysis From 07:15 AM to 09:30 AM - Peak 1 of 1

Peak Hour for Each Approach Begins at:

	07:15 AM					08:15 AM					07:30 AM					08:00 AM				
+0 mins.	37	11	1	1	50	1	48	7	0	56	19	12	24	1	56	61	56	9	0	126
+15 mins.	34	21	3	0	58	2	47	8	1	58	12	13	31	2	58	37	65	13	2	117
+30 mins.	48	29	0	5	82	3	46	2	1	52	15	16	34	1	66	42	68	19	1	130
+45 mins.	38	26	2	0	66	0	72	8	1	81	8	7	36	2	53	43	69	15	0	127
Total Volume	157	87	6	6	256	6	213	25	3	247	54	48	125	6	233	183	258	56	3	500
% App. Total	61.3	34	2.3	2.3		2.4	86.2	10.1	1.2		23.2	20.6	53.6	2.6		36.6	51.6	11.2	0.6	
PHF	.818	.750	.500	.300	.780	.500	.740	.781	.750	.762	.711	.750	.868	.750	.883	.750	.935	.737	.375	.962



Binghamton Metropolitan Transportation Study

PO Box 1766
Binghamton, NY 13902

Your Tagline Here

Bobby Portorsnok
Conklin and Tompkins
Binghamton
Sunny and Hot

File Name : Conklin and Tompkins PM 2015
Site Code : 62
Start Date : 5/8/2015
Page No : 5

