

Binghamton Metropolitan Transportation Study

P.O Box 1766
Binghamton, NY 13902

Dom Dellos
Riverside / Kneeland / Lourdes AM
Binghamton
Cool but clear

File Name : Riverside and Kneeland and Lourdes AM 2012
Site Code : 109
Start Date : 5/24/2012
Page No : 1

Groups Printed- Unshifted - Heavy Vehicles

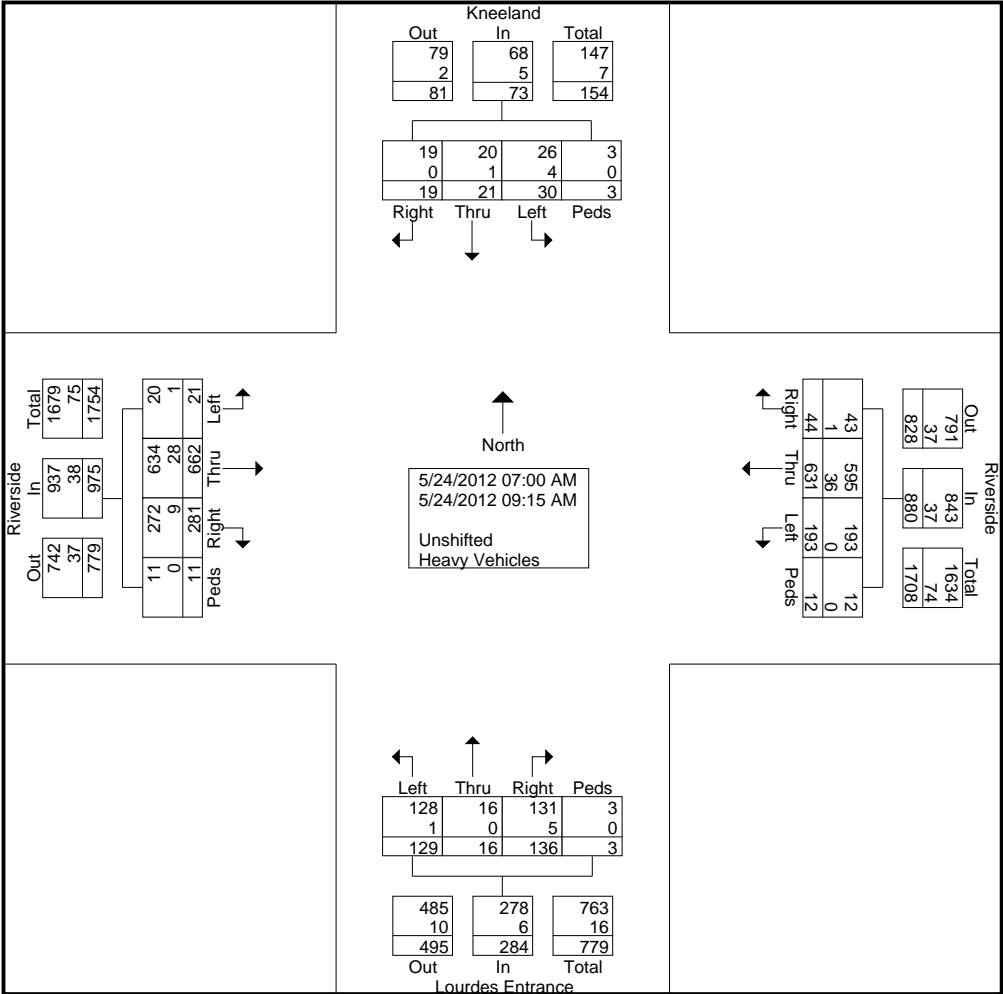
Start Time	Kneeland From North					Riverside From East					Lourdes Entrance From South					Riverside From West					Int. Total
	Right	Thru	Left	Peds	App. Total	Right	Thru	Left	Peds	App. Total	Right	Thru	Left	Peds	App. Total	Right	Thru	Left	Peds	App. Total	
07:00 AM	1	3	1	0	5	5	35	12	2	54	11	0	3	0	14	23	38	2	4	67	140
07:15 AM	2	1	1	0	4	8	36	14	1	59	12	1	7	0	20	27	41	1	1	70	153
07:30 AM	2	1	1	0	4	3	18	16	2	39	13	0	9	0	22	23	21	2	0	46	111
07:45 AM	1	2	7	1	11	3	31	19	3	56	14	1	12	0	27	32	54	1	1	88	182
Total	6	7	10	1	24	19	120	61	8	208	50	2	31	0	83	105	154	6	6	271	586
08:00 AM	3	2	6	1	12	8	97	25	0	130	12	4	16	0	32	37	100	2	0	139	313
08:15 AM	2	5	8	0	15	8	66	21	0	95	11	1	6	0	18	28	71	2	1	102	230
08:30 AM	1	2	3	1	7	2	75	18	2	97	15	2	12	0	29	23	91	2	1	117	250
08:45 AM	2	1	1	0	4	5	98	19	2	124	13	1	15	0	29	32	108	2	0	142	299
Total	8	10	18	2	38	23	336	83	4	446	51	8	49	0	108	120	370	8	2	500	1092
09:00 AM	3	3	1	0	7	1	81	31	0	113	19	2	23	2	46	29	69	4	2	104	270
09:15 AM	2	1	1	0	4	1	94	18	0	113	16	4	26	1	47	27	69	3	1	100	264
Grand Total	19	21	30	3	73	44	631	193	12	880	136	16	129	3	284	281	662	21	11	975	2212
Apprch %	26	28.8	41.1	4.1		5	71.7	21.9	1.4		47.9	5.6	45.4	1.1		28.8	67.9	2.2	1.1		
Total %	0.9	0.9	1.4	0.1	3.3	2	28.5	8.7	0.5	39.8	6.1	0.7	5.8	0.1	12.8	12.7	29.9	0.9	0.5	44.1	
Unshifted	19	20	26	3	68	43	595	193	12	843	131	16	128	3	278	272	634	20	11	937	2126
% Unshifted	100	95.2	86.7	100	93.2	97.7	94.3	100	100	95.8	96.3	100	99.2	100	97.9	96.8	95.8	95.2	100	96.1	96.1
Heavy Vehicles	0	1	4	0	5	1	36	0	0	37	5	0	1	0	6	9	28	1	0	38	86
% Heavy Vehicles	0	4.8	13.3	0	6.8	2.3	5.7	0	0	4.2	3.7	0	0.8	0	2.1	3.2	4.2	4.8	0	3.9	3.9

Binghamton Metropolitan Transportation Study

P.O Box 1766
 Binghamton, NY 13902

Dom Dellos
 Riverside / Kneeland / Lourdes AM
 Binghamton
 Cool but clear

File Name : Riverside and Kneeland and Lourdes AM 2012
 Site Code : 109
 Start Date : 5/24/2012
 Page No : 2

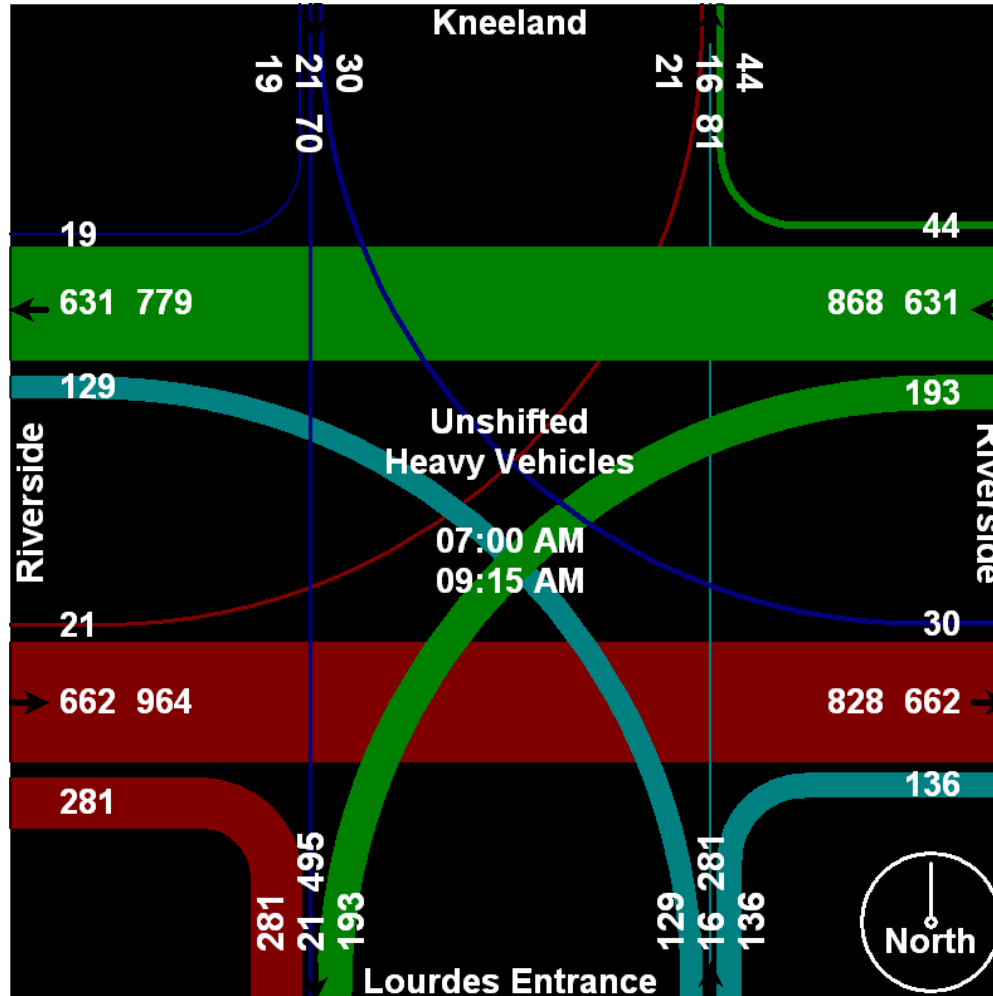


Binghamton Metropolitan Transportation Study

P.O Box 1766
Binghamton, NY 13902

Dom Dellos
Riverside / Kneeland / Lourdes AM
Binghamton
Cool but clear

File Name : Riverside and Kneeland and Lourdes AM 2012
Site Code : 109
Start Date : 5/24/2012
Page No : 3



Binghamton Metropolitan Transportation Study

P.O Box 1766
Binghamton, NY 13902

Dom Dellos
Riverside / Kneeland / Lourdes AM
Binghamton
Cool but clear

File Name : Riverside and Kneeland and Lourdes AM 2012
Site Code : 109
Start Date : 5/24/2012
Page No : 4

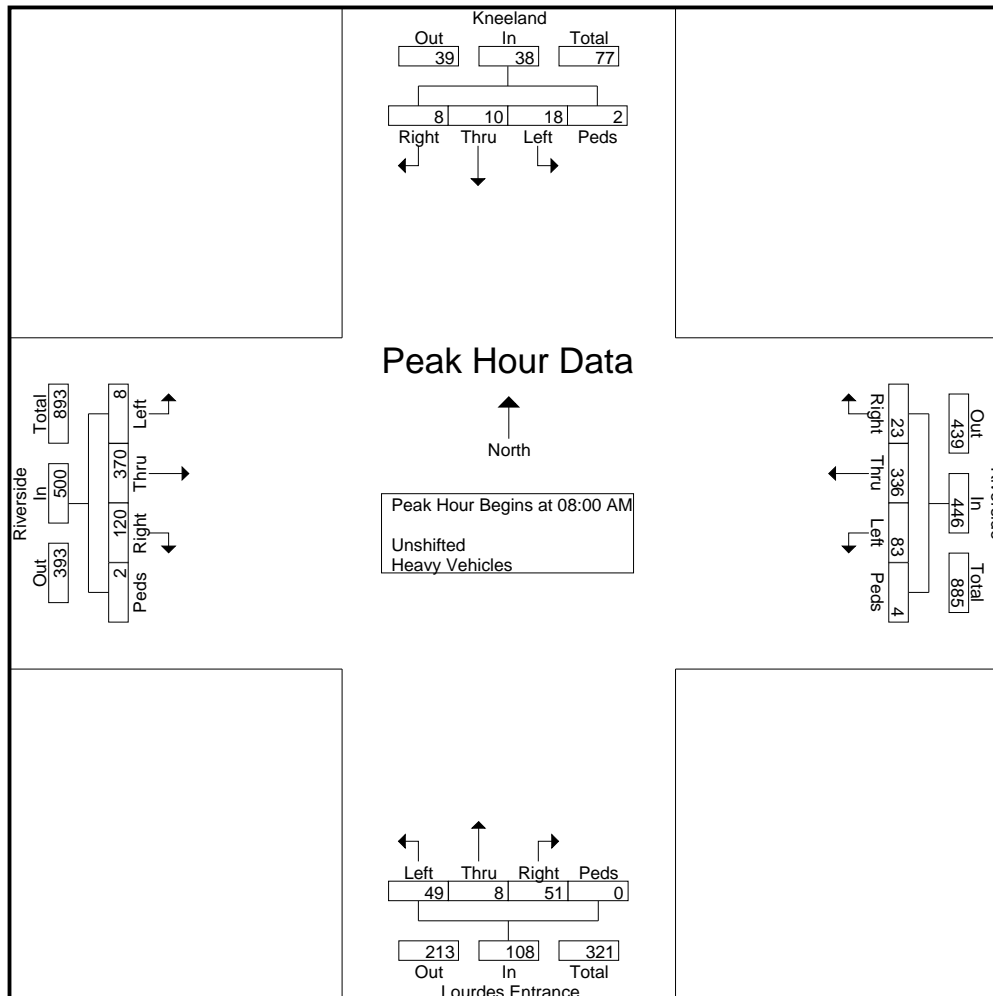
Start Time	Kneeland From North					Riverside From East					Lourdes Entrance From South					Riverside From West					Int. Total
	Right	Thru	Left	Peds	App. Total	Right	Thru	Left	Peds	App. Total	Right	Thru	Left	Peds	App. Total	Right	Thru	Left	Peds	App. Total	
Peak Hour Analysis From 07:00 AM to 09:15 AM - Peak 1 of 1																					
Peak Hour for Entire Intersection Begins at 08:00 AM																					
08:00 AM	3	2	6	1	12	8	97	25	0	130	12	4	16	0	32	37	100	2	0	139	313
08:15 AM	2	5	8	0	15	8	66	21	0	95	11	1	6	0	18	28	71	2	1	102	230
08:30 AM	1	2	3	1	7	2	75	18	2	97	15	2	12	0	29	23	91	2	1	117	250
08:45 AM	2	1	1	0	4	5	98	19	2	124	13	1	15	0	29	32	108	2	0	142	299
Total Volume	8	10	18	2	38	23	336	83	4	446	51	8	49	0	108	120	370	8	2	500	1092
% App. Total	21.1	26.3	47.4	5.3		5.2	75.3	18.6	0.9		47.2	7.4	45.4	0		24	74	1.6	0.4		
PHF	.667	.500	.563	.500	.633	.719	.857	.830	.500	.858	.850	.500	.766	.000	.844	.811	.856	1.00	.500	.880	.872

Binghamton Metropolitan Transportation Study

P.O Box 1766
Binghamton, NY 13902

Dom Dellos
Riverside / Kneeland / Lourdes AM
Binghamton
Cool but clear

File Name : Riverside and Kneeland and Lourdes AM 2012
Site Code : 109
Start Date : 5/24/2012
Page No : 5



Binghamton Metropolitan Transportation Study

P.O Box 1766
Binghamton, NY 13902

Dom Dellos
Riverside / Kneeland / Lourdes AM
Binghamton
Cool but clear

File Name : Riverside and Kneeland and Lourdes AM 2012
Site Code : 109
Start Date : 5/24/2012
Page No : 6

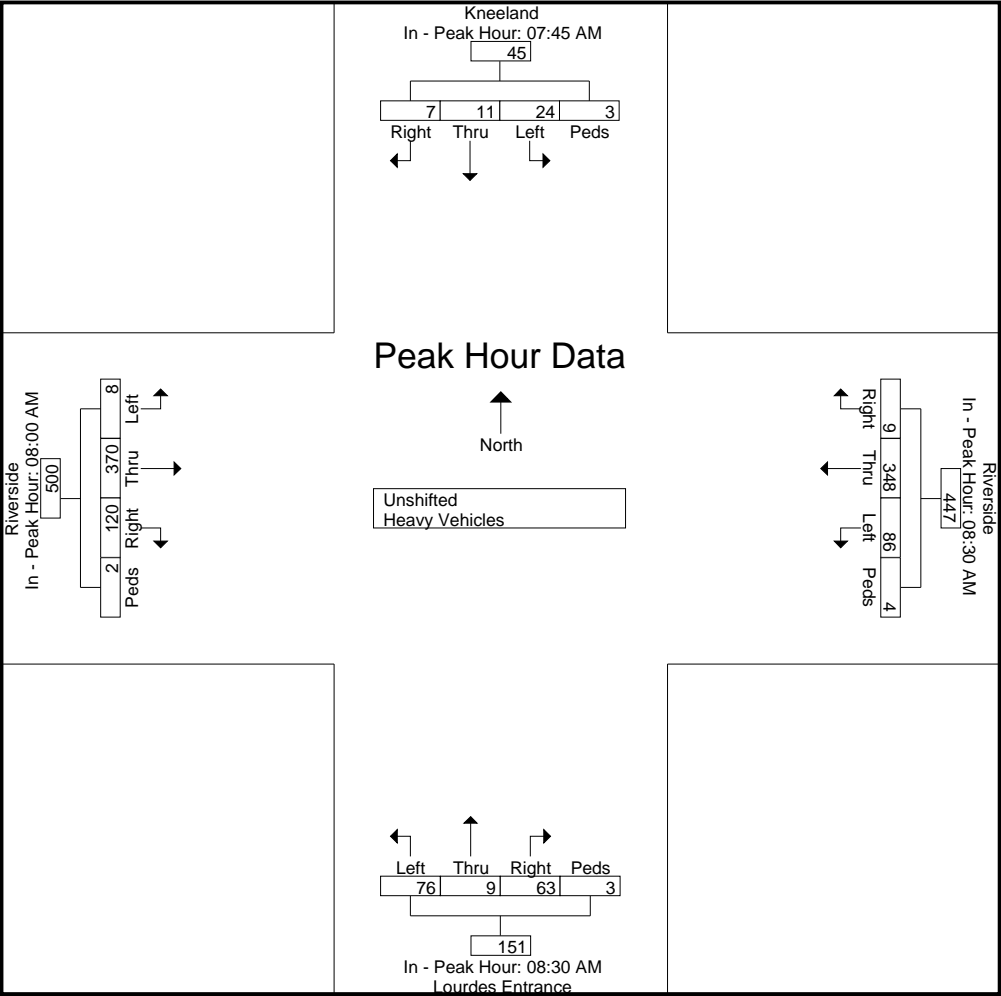
Start Time	Kneeland From North					Riverside From East					Lourdes Entrance From South					Riverside From West					Int. Total
	Right	Thru	Left	Peds	App. Total	Right	Thru	Left	Peds	App. Total	Right	Thru	Left	Peds	App. Total	Right	Thru	Left	Peds	App. Total	
Peak Hour Analysis From 07:00 AM to 09:15 AM - Peak 1 of 1																					
Peak Hour for Each Approach Begins at:																					
	07:45 AM					08:30 AM					08:30 AM					08:00 AM					
+0 mins.	1	2	7	1	11	2	75	18	2	97	15	2	12	0	29	37	100	2	0	139	
+15 mins.	3	2	6	1	12	5	98	19	2	124	13	1	15	0	29	28	71	2	1	102	
+30 mins.	2	5	8	0	15	1	81	31	0	113	19	2	23	2	46	23	91	2	1	117	
+45 mins.	1	2	3	1	7	1	94	18	0	113	16	4	26	1	47	32	108	2	0	142	
Total Volume	7	11	24	3	45	9	348	86	4	447	63	9	76	3	151	120	370	8	2	500	
% App. Total	15.6	24.4	53.3	6.7		2	77.9	19.2	0.9		41.7	6	50.3	2		24	74	1.6	0.4		
PHF	.583	.550	.750	.750	.750	.450	.888	.694	.500	.901	.829	.563	.731	.375	.803	.811	.856	1.000	.500	.880	

Binghamton Metropolitan Transportation Study

P.O Box 1766
 Binghamton, NY 13902

Dom Dellos
 Riverside / Kneeland / Lourdes AM
 Binghamton
 Cool but clear

File Name : Riverside and Kneeland and Lourdes AM 2012
 Site Code : 109
 Start Date : 5/24/2012
 Page No : 7



Binghamton Metropolitan Transportation Study

P.O Box 1766
Binghamton, NY 13902

Dom Dellos
Riverside / Kneeland / Lourdes AM
Binghamton
Cool but clear

File Name : Riverside and Kneeland and Lourdes AM 2012
Site Code : 109
Start Date : 5/24/2012
Page No : 8

