

Binghamton Metropolitan Transportation Study

P.O Box 1766
Binghamton, NY 13902

Bryan Bunnell
NY 7 and Corporate Parkway
Town of Conklin
Hot

File Name : NY 7 and Corporate Parkway PM 2012
Site Code : 257
Start Date : 6/28/2012
Page No : 1

Groups Printed- Unshifted - Heavy Vehicles

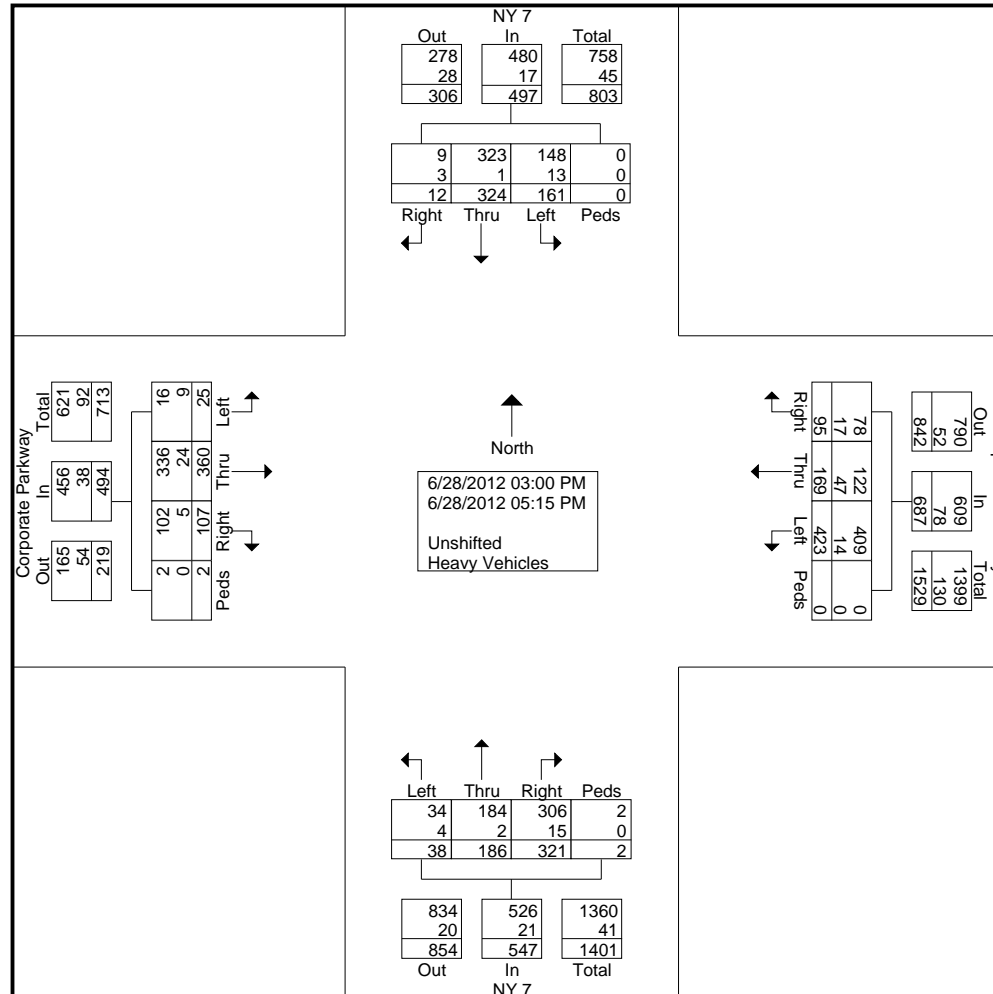
Start Time	NY 7 From North					Corporate Parkway From East					NY 7 From South					Corporate Parkway From West					Int. Total
	Right	Thru	Left	Peds	App. Total	Right	Thru	Left	Peds	App. Total	Right	Thru	Left	Peds	App. Total	Right	Thru	Left	Peds	App. Total	
03:00 PM	0	34	14	0	48	10	14	35	0	59	29	16	5	0	50	9	24	3	0	36	193
03:15 PM	0	44	18	0	62	14	18	38	0	70	30	14	5	0	49	13	29	4	0	46	227
03:30 PM	1	40	18	0	59	10	16	51	0	77	23	19	3	1	46	14	23	4	0	41	223
03:45 PM	1	41	17	0	59	10	29	40	0	79	39	24	4	0	67	7	28	1	0	36	241
Total	2	159	67	0	228	44	77	164	0	285	121	73	17	1	212	43	104	12	0	159	884
04:00 PM	3	25	9	0	37	9	15	50	0	74	26	16	4	0	46	9	30	2	1	42	199
04:15 PM	2	30	19	0	51	6	16	35	0	57	39	22	5	0	66	10	38	1	0	49	223
04:30 PM	1	20	19	0	40	7	14	48	0	69	34	18	3	0	55	15	48	3	0	66	230
04:45 PM	3	28	18	0	49	11	20	46	0	77	31	18	2	0	51	7	42	3	1	53	230
Total	9	103	65	0	177	33	65	179	0	277	130	74	14	0	218	41	158	9	2	210	882
05:00 PM	1	30	13	0	44	11	18	43	0	72	35	20	3	0	58	11	40	2	0	53	227
05:15 PM	0	32	16	0	48	7	9	37	0	53	35	19	4	1	59	12	58	2	0	72	232
Grand Total	12	324	161	0	497	95	169	423	0	687	321	186	38	2	547	107	360	25	2	494	2225
Apprch %	2.4	65.2	32.4	0		13.8	24.6	61.6	0		58.7	34	6.9	0.4		21.7	72.9	5.1	0.4		
Total %	0.5	14.6	7.2	0	22.3	4.3	7.6	19	0	30.9	14.4	8.4	1.7	0.1	24.6	4.8	16.2	1.1	0.1	22.2	
Unshifted	9	323	148	0	480	78	122	409	0	609	306	184	34	2	526	102	336	16	2	456	2071
% Unshifted	75	99.7	91.9	0	96.6	82.1	72.2	96.7	0	88.6	95.3	98.9	89.5	100	96.2	95.3	93.3	64	100	92.3	93.1
Heavy Vehicles	3	1	13	0	17	17	47	14	0	78	15	2	4	0	21	5	24	9	0	38	154
% Heavy Vehicles	25	0.3	8.1	0	3.4	17.9	27.8	3.3	0	11.4	4.7	1.1	10.5	0	3.8	4.7	6.7	36	0	7.7	6.9

Binghamton Metropolitan Transportation Study

P.O Box 1766
Binghamton, NY 13902

Bryan Bunnell
NY 7 and Corporate Parkway
Town of Conklin
Hot

File Name : NY 7 and Corporate Parkway PM 2012
Site Code : 257
Start Date : 6/28/2012
Page No : 2

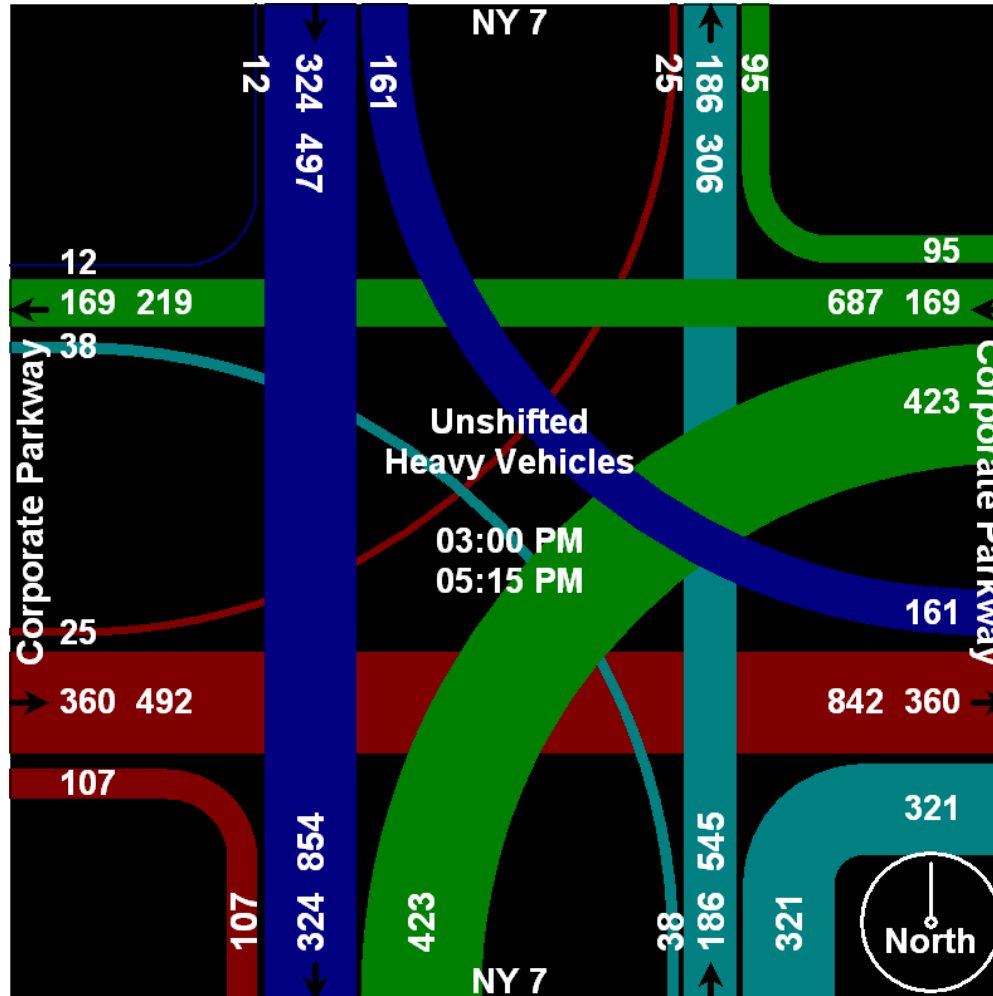


Binghamton Metropolitan Transportation Study

P.O. Box 1766
Binghamton, NY 13902

Bryan Bunnell
NY 7 and Corporate Parkway
Town of Conklin
Hot

File Name : NY 7 and Corporate Parkway PM 2012
Site Code : 257
Start Date : 6/28/2012
Page No : 3



Binghamton Metropolitan Transportation Study

P.O Box 1766
Binghamton, NY 13902

Bryan Bunnell
NY 7 and Corporate Parkway
Town of Conklin
Hot

File Name : NY 7 and Corporate Parkway PM 2012
Site Code : 257
Start Date : 6/28/2012
Page No : 4

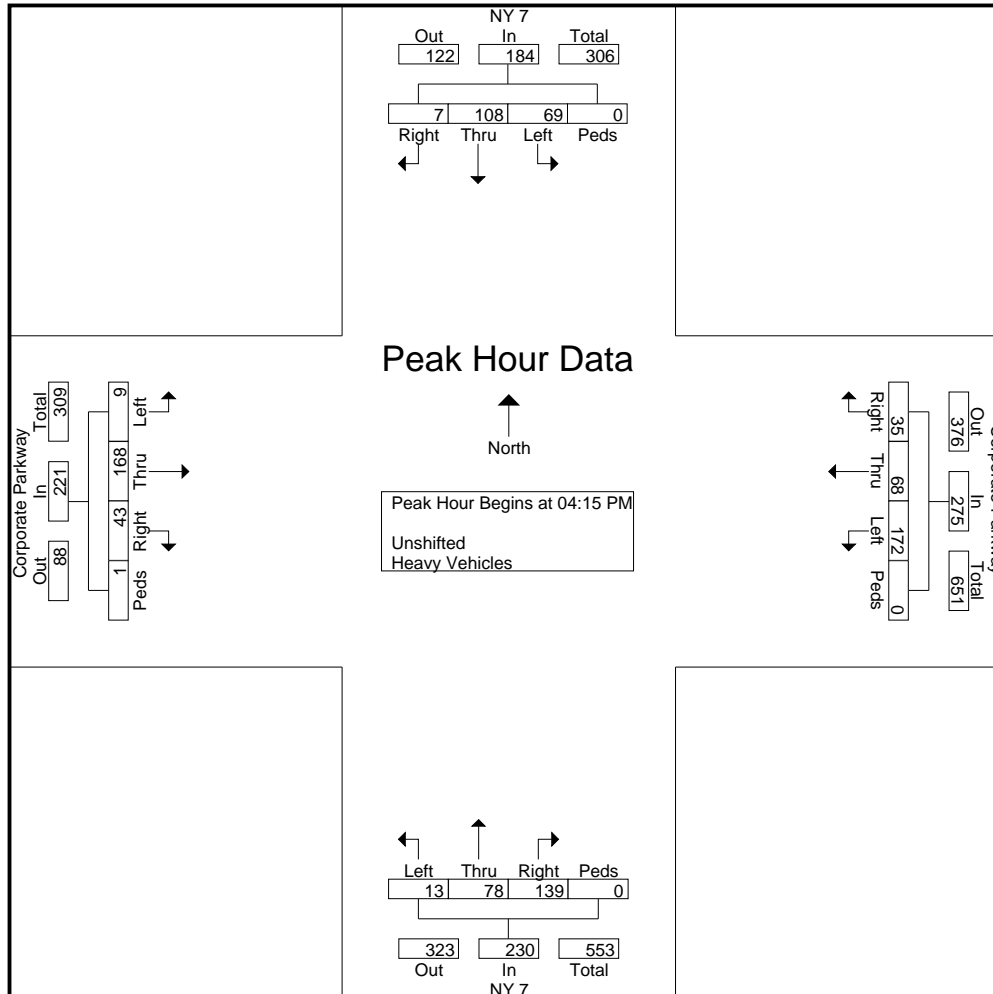
Start Time	NY 7 From North					Corporate Parkway From East					NY 7 From South					Corporate Parkway From West					Int. Total
	Right	Thru	Left	Peds	App. Total	Right	Thru	Left	Peds	App. Total	Right	Thru	Left	Peds	App. Total	Right	Thru	Left	Peds	App. Total	
Peak Hour Analysis From 03:00 PM to 05:00 PM - Peak 1 of 1																					
Peak Hour for Entire Intersection Begins at 04:15 PM																					
04:15 PM	2	30	19	0	51	6	16	35	0	57	39	22	5	0	66	10	38	1	0	49	223
04:30 PM	1	20	19	0	40	7	14	48	0	69	34	18	3	0	55	15	48	3	0	66	230
04:45 PM	3	28	18	0	49	11	20	46	0	77	31	18	2	0	51	7	42	3	1	53	230
05:00 PM	1	30	13	0	44	11	18	43	0	72	35	20	3	0	58	11	40	2	0	53	227
Total Volume	7	108	69	0	184	35	68	172	0	275	139	78	13	0	230	43	168	9	1	221	910
% App. Total	3.8	58.7	37.5	0		12.7	24.7	62.5	0		60.4	33.9	5.7	0		19.5	76	4.1	0.5		
PHF	.583	.900	.908	.000	.902	.795	.850	.896	.000	.893	.891	.886	.650	.000	.871	.717	.875	.750	.250	.837	.989

Binghamton Metropolitan Transportation Study

P.O Box 1766
Binghamton, NY 13902

Bryan Bunnell
NY 7 and Corporate Parkway
Town of Conklin
Hot

File Name : NY 7 and Corporate Parkway PM 2012
Site Code : 257
Start Date : 6/28/2012
Page No : 5



Binghamton Metropolitan Transportation Study

P.O Box 1766
Binghamton, NY 13902

Bryan Bunnell
NY 7 and Corporate Parkway
Town of Conklin
Hot

File Name : NY 7 and Corporate Parkway PM 2012
Site Code : 257
Start Date : 6/28/2012
Page No : 6

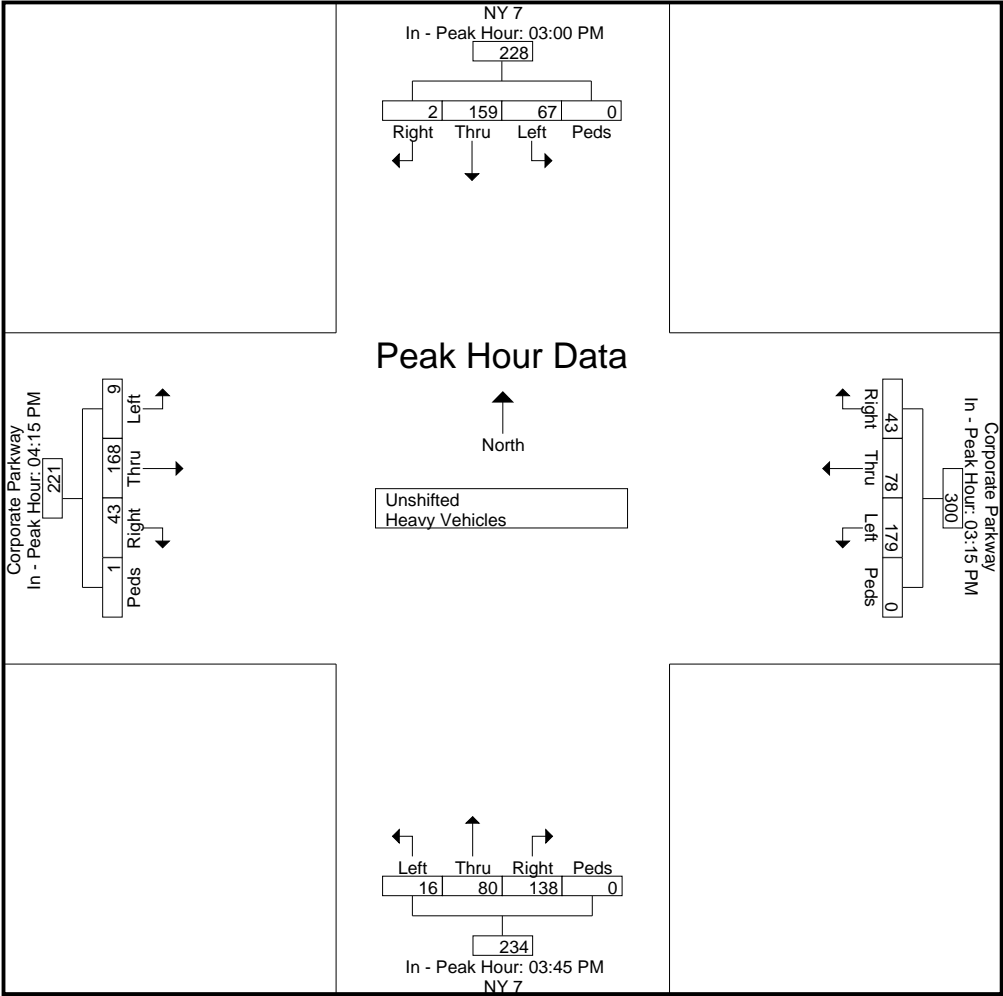
Start Time	NY 7 From North					Corporate Parkway From East					NY 7 From South					Corporate Parkway From West					Int. Total
	Right	Thru	Left	Peds	App. Total	Right	Thru	Left	Peds	App. Total	Right	Thru	Left	Peds	App. Total	Right	Thru	Left	Peds	App. Total	
Peak Hour Analysis From 03:00 PM to 05:00 PM - Peak 1 of 1																					
Peak Hour for Each Approach Begins at:																					
	03:00 PM					03:15 PM					03:45 PM					04:15 PM					
+0 mins.	0	34	14	0	48	14	18	38	0	70	39	24	4	0	67	10	38	1	0	49	
+15 mins.	0	44	18	0	62	10	16	51	0	77	26	16	4	0	46	15	48	3	0	66	
+30 mins.	1	40	18	0	59	10	29	40	0	79	39	22	5	0	66	7	42	3	1	53	
+45 mins.	1	41	17	0	59	9	15	50	0	74	34	18	3	0	55	11	40	2	0	53	
Total Volume	2	159	67	0	228	43	78	179	0	300	138	80	16	0	234	43	168	9	1	221	
% App. Total	0.9	69.7	29.4	0		14.3	26	59.7	0		59	34.2	6.8	0		19.5	76	4.1	0.5		
PHF	.500	.903	.931	.000	.919	.768	.672	.877	.000	.949	.885	.833	.800	.000	.873	.717	.875	.750	.250	.837	

Binghamton Metropolitan Transportation Study

P.O Box 1766
 Binghamton, NY 13902

Bryan Bunnell
 NY 7 and Corporate Parkway
 Town of Conklin
 Hot

File Name : NY 7 and Corporate Parkway PM 2012
 Site Code : 257
 Start Date : 6/28/2012
 Page No : 7



Binghamton Metropolitan Transportation Study

P.O Box 1766
Binghamton, NY 13902

Bryan Bunnell
NY 7 and Corporate Parkway
Town of Conklin
Hot

File Name : NY 7 and Corporate Parkway PM 2012
Site Code : 257
Start Date : 6/28/2012
Page No : 8

