

Binghamton Metropolitan Transportation Study

PO Box 1766
Binghamton, NY 13902

Your Tagline Here

Bobby Portorsnok
Helen and Grand Blvd (Flashing)
Binghamton

File Name : Helen and Grand Blvd PM 2015
Site Code : Flash 1
Start Date : 5/6/2015
Page No : 1

Warm but then the sun went away :(

Groups Printed- Unshifted - Heavy Vehicles - Bank 2

Start Time	From North					From East					From South					From West					Int. Total
	Right	Thru	Left	Peds	App. Total	Right	Thru	Left	Peds	App. Total	Right	Thru	Left	Peds	App. Total	Right	Thru	Left	Peds	App. Total	
02:45 PM	17	10	6	7	40	9	23	2	4	38	3	7	2	13	25	9	34	6	1	50	153
Total	17	10	6	7	40	9	23	2	4	38	3	7	2	13	25	9	34	6	1	50	153
03:00 PM	17	21	6	1	45	9	30	2	1	42	5	18	8	23	54	6	38	12	3	59	200
03:15 PM	15	12	3	1	31	6	33	2	2	43	1	15	2	2	20	2	35	8	1	46	140
03:30 PM	7	25	9	5	46	12	30	3	5	50	1	12	2	1	16	6	31	20	2	59	171
03:45 PM	14	14	5	1	34	8	41	0	6	55	4	22	7	17	50	8	44	7	2	61	200
Total	53	72	23	8	156	35	134	7	14	190	11	67	19	43	140	22	148	47	8	225	711
04:00 PM	14	9	13	1	37	6	25	1	2	34	0	21	3	11	35	4	30	8	3	45	151
04:15 PM	9	11	11	1	32	4	23	2	2	31	0	12	3	1	16	3	39	8	2	52	131
04:30 PM	5	17	8	0	30	10	25	2	1	38	3	13	1	1	18	2	28	11	7	48	134
04:45 PM	8	14	5	0	27	9	29	5	1	44	2	6	6	1	15	3	31	9	2	45	131
Total	36	51	37	2	126	29	102	10	6	147	5	52	13	14	84	12	128	36	14	190	547
05:00 PM	14	15	6	1	36	6	32	4	3	45	1	10	4	1	16	5	36	13	1	55	152
Grand Total	120	148	72	18	358	79	291	23	27	420	20	136	38	71	265	48	346	102	24	520	1563
Approch %	33.5	41.3	20.1	5		18.8	69.3	5.5	6.4		7.5	51.3	14.3	26.8		9.2	66.5	19.6	4.6		
Total %	7.7	9.5	4.6	1.2	22.9	5.1	18.6	1.5	1.7	26.9	1.3	8.7	2.4	4.5	17	3.1	22.1	6.5	1.5	33.3	
Unshifted	120	148	71	16	355	79	290	21	27	417	19	133	38	33	223	48	345	101	22	516	1511
% Unshifted	100	100	98.6	88.9	99.2	100	99.7	91.3	100	99.3	95	97.8	100	46.5	84.2	100	99.7	99	91.7	99.2	96.7
Heavy Vehicles																					
% Heavy Vehicles	0	0	1.4	0	0.3	0	0.3	8.7	0	0.7	5	2.2	0	0	1.5	0	0.3	1	0	0.4	0.6
Bank 2	0	0	0	2	2	0	0	0	0	0	0	0	0	38	38	0	0	0	2	2	42
% Bank 2	0	0	0	11.1	0.6	0	0	0	0	0	0	0	0	53.5	14.3	0	0	0	8.3	0.4	2.7

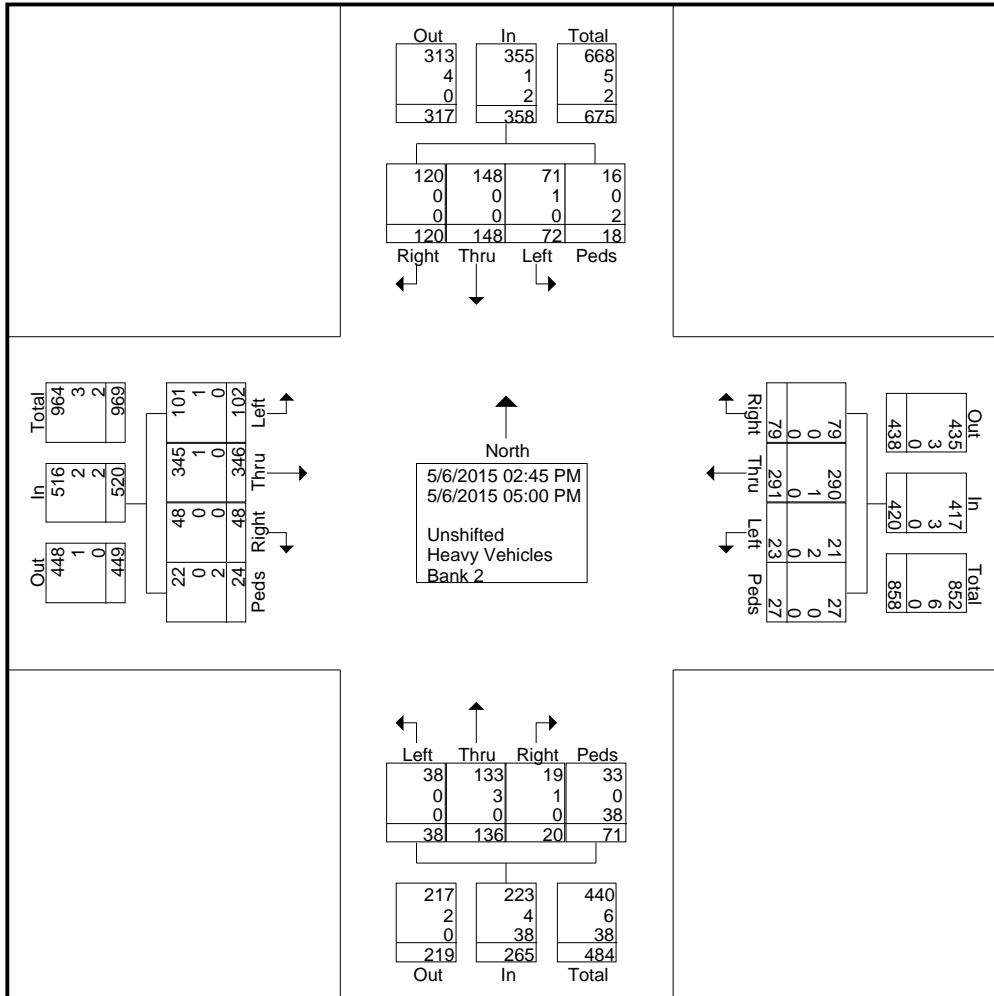
Binghamton Metropolitan Transportation Study

PO Box 1766
Binghamton, NY 13902

Your Tagline Here

Bobby Portorsnok
Helen and Grand Blvd (Flashing)
Binghamton
Warm but then the sun went away :(

File Name : Helen and Grand Blvd PM 2015
Site Code : Flash 1
Start Date : 5/6/2015
Page No : 2



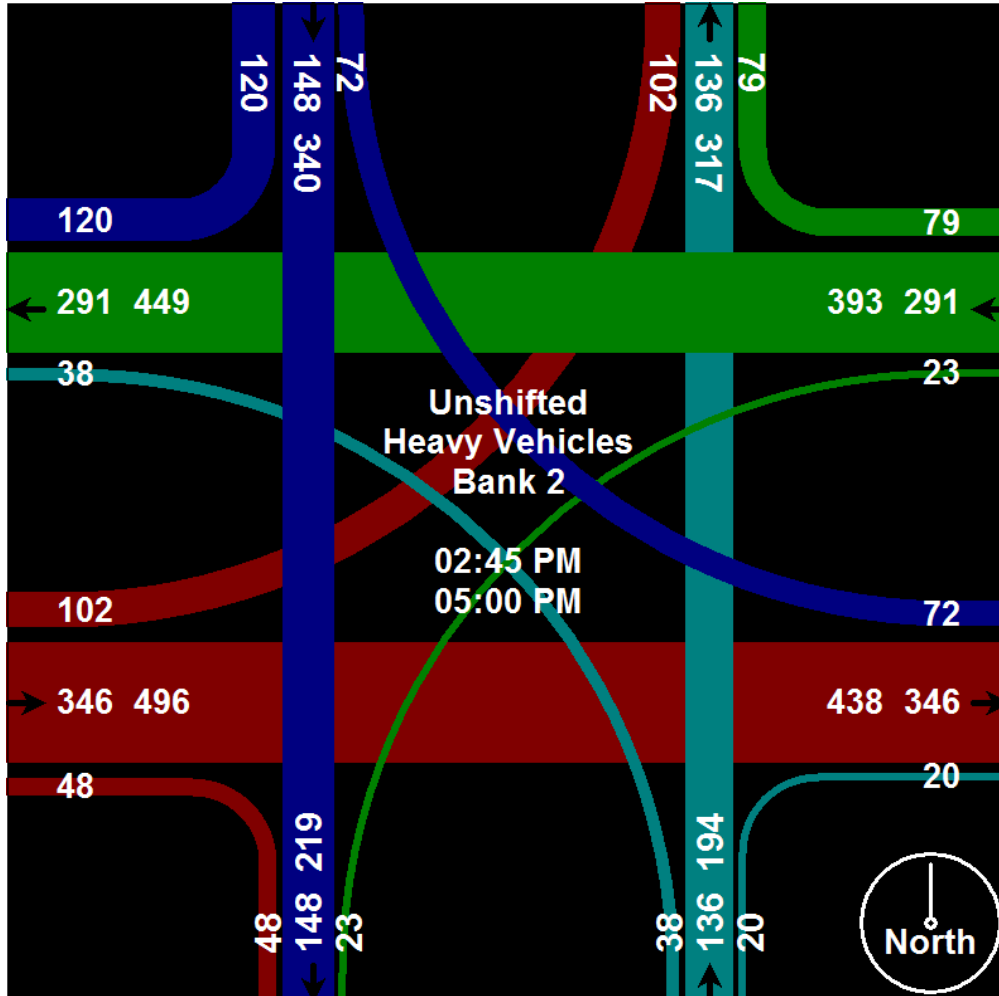
Binghamton Metropolitan Transportation Study

PO Box 1766
Binghamton, NY 13902

Your Tagline Here

Bobby Portorsnok
Helen and Grand Blvd (Flashing)
Binghamton
Warm but then the sun went away :(

File Name : Helen and Grand Blvd PM 2015
Site Code : Flash 1
Start Date : 5/6/2015
Page No : 3



Binghamton Metropolitan Transportation Study

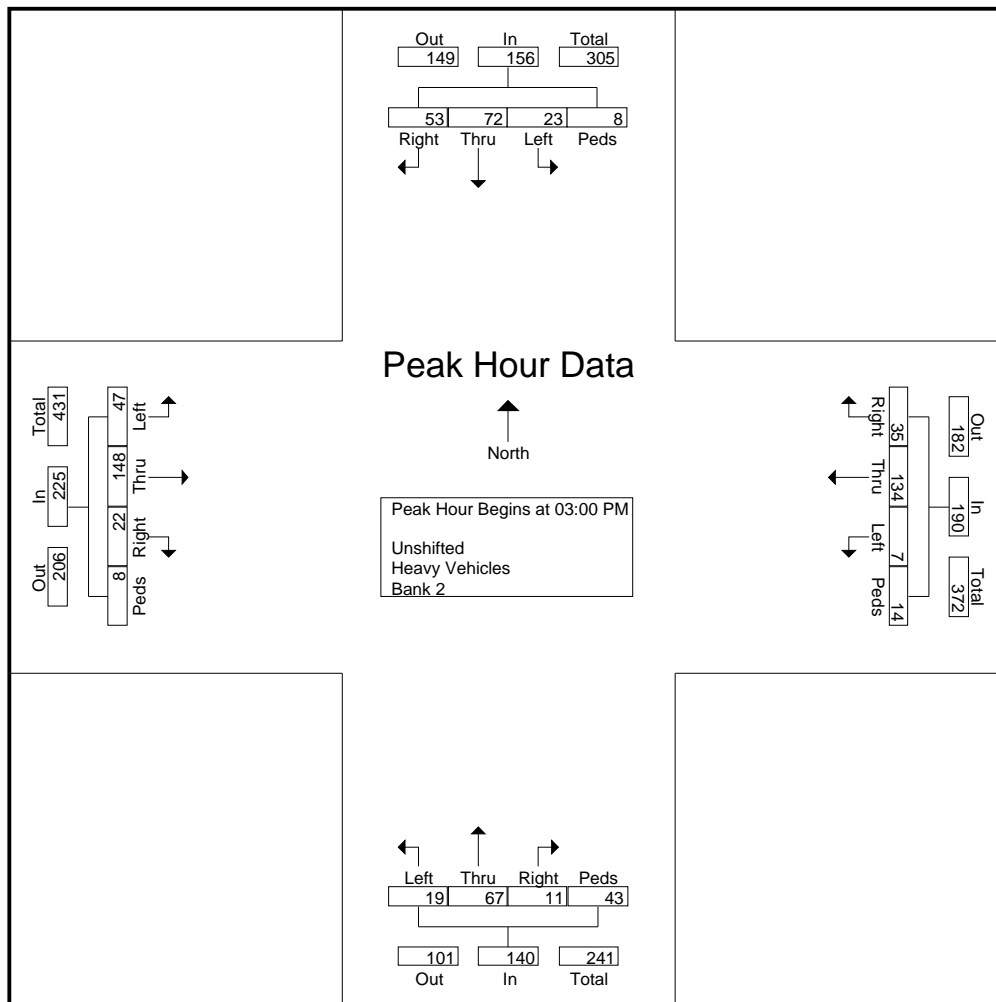
PO Box 1766
Binghamton, NY 13902

Your Tagline Here

Bobby Portorsnok
Helen and Grand Blvd (Flashing)
Binghamton
Warm but then the sun went away :(

File Name : Helen and Grand Blvd PM 2015
Site Code : Flash 1
Start Date : 5/6/2015
Page No : 4

Start Time	From North					From East					From South					From West					Int. Total
	Right	Thru	Left	Peds	App. Total	Right	Thru	Left	Peds	App. Total	Right	Thru	Left	Peds	App. Total	Right	Thru	Left	Peds	App. Total	
Peak Hour Analysis From 02:45 PM to 05:00 PM - Peak 1 of 1																					
Peak Hour for Entire Intersection Begins at 03:00 PM																					
03:00 PM	17	21	6	1	45	9	30	2	1	42	5	18	8	23	54	6	38	12	3	59	200
03:15 PM	15	12	3	1	31	6	33	2	2	43	1	15	2	2	20	2	35	8	1	46	140
03:30 PM	7	25	9	5	46	12	30	3	5	50	1	12	2	1	16	6	31	20	2	59	171
03:45 PM	14	14	5	1	34	8	41	0	6	55	4	22	7	17	50	8	44	7	2	61	200
Total Volume	53	72	23	8	156	35	134	7	14	190	11	67	19	43	140	22	148	47	8	225	711
% App. Total	34	46.2	14.7	5.1		18.4	70.5	3.7	7.4		7.9	47.9	13.6	30.7		9.8	65.8	20.9	3.6		
PHF	.779	.720	.639	.400	.848	.729	.817	.583	.583	.864	.550	.761	.594	.467	.648	.688	.841	.588	.667	.922	.889



Binghamton Metropolitan Transportation Study

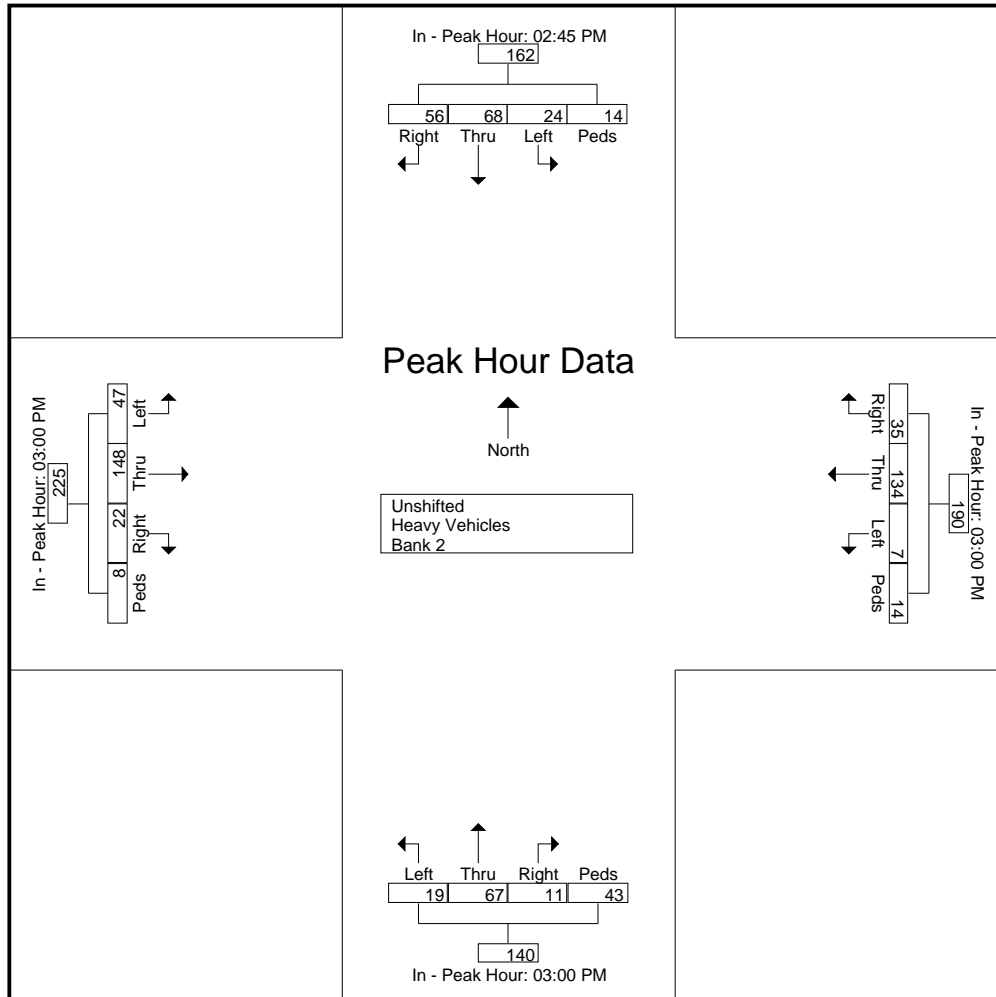
PO Box 1766
Binghamton, NY 13902

Your Tagline Here

Bobby Portorsnok
Helen and Grand Blvd (Flashing)
Binghamton
Warm but then the sun went away :(

File Name : Helen and Grand Blvd PM 2015
Site Code : Flash 1
Start Date : 5/6/2015
Page No : 5

Start Time	From North					From East					From South					From West					Int. Total
	Right	Thru	Left	Peds	App. Total	Right	Thru	Left	Peds	App. Total	Right	Thru	Left	Peds	App. Total	Right	Thru	Left	Peds	App. Total	
Peak Hour Analysis From 02:45 PM to 05:00 PM - Peak 1 of 1																					
Peak Hour for Each Approach Begins at:																					
	02:45 PM					03:00 PM					03:00 PM					03:00 PM					
+0 mins.	17	10	6	7	40	9	30	2	1	42	5	18	8	23	54	6	38	12	3	59	
+15 mins.	17	21	6	1	45	6	33	2	2	43	1	15	2	2	20	2	35	8	1	46	
+30 mins.	15	12	3	1	31	12	30	3	5	50	1	12	2	1	16	6	31	20	2	59	
+45 mins.	7	25	9	5	46	8	41	0	6	55	4	22	7	17	50	8	44	7	2	61	
Total Volume	56	68	24	14	162	35	134	7	14	190	11	67	19	43	140	22	148	47	8	225	
% App. Total	34.6	42	14.8	8.6		18.4	70.5	3.7	7.4		7.9	47.9	13.6	30.7		9.8	65.8	20.9	3.6		
PHF	.824	.680	.667	.500	.880	.729	.817	.583	.583	.864	.550	.761	.594	.467	.648	.688	.841	.588	.667	.922	



Binghamton Metropolitan Transportation Study

PO Box 1766
Binghamton, NY 13902

Your Tagline Here

Bobby Portorsnok
Helen and Grand Blvd (Flashing)
Binghamton
Warm but then the sun went away :(

File Name : Helen and Grand Blvd PM 2015
Site Code : Flash 1
Start Date : 5/6/2015
Page No : 6

