

Binghamton Metropolitan Transportation Study

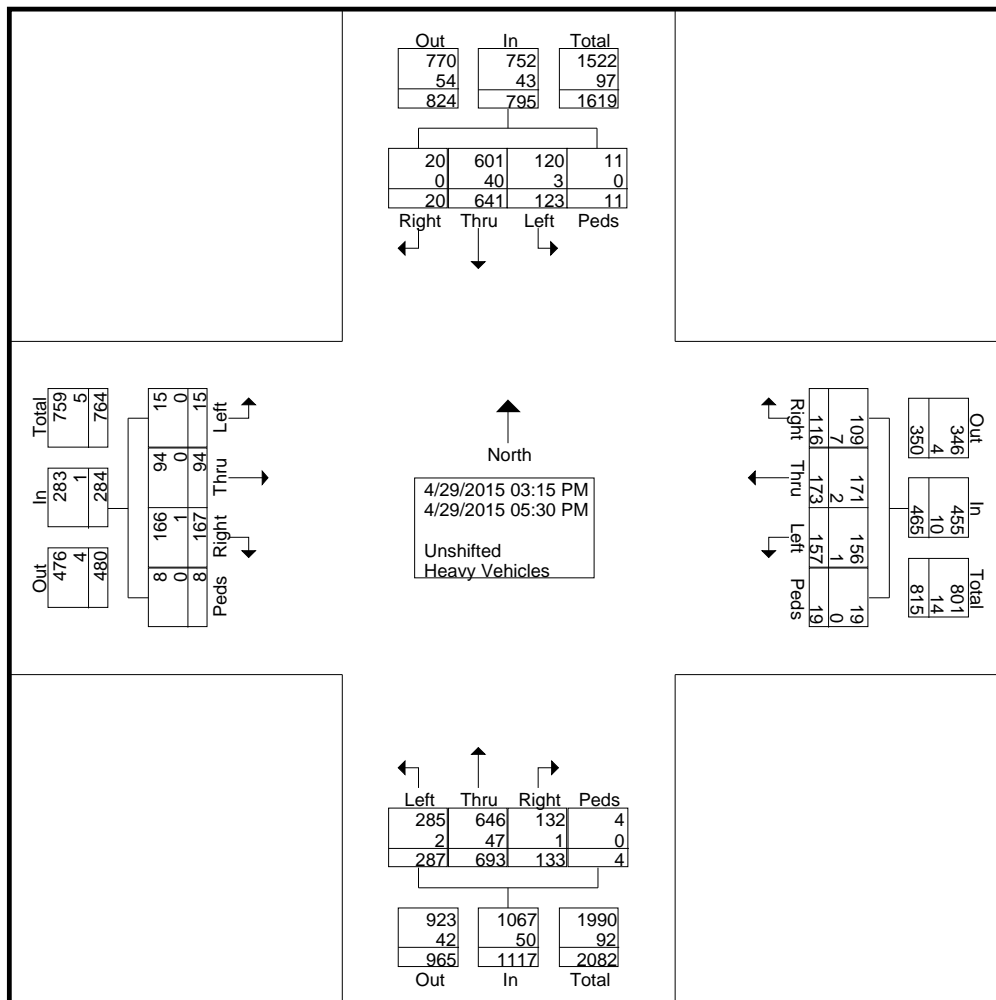
PO Box 1766
 Binghamton, NY 13902
Your Tagline Here

Bobby Portorsnok
 Front Court and Park
 Owego
 Warm and Windy

File Name : Front Court and Park PM 2015
 Site Code : 236
 Start Date : 4/29/2015
 Page No : 1

Groups Printed- Unshifted - Heavy Vehicles

Start Time	From North					From East					From South					From West					Int. Total
	Right	Thru	Left	Peds	App. Total	Right	Thru	Left	Peds	App. Total	Right	Thru	Left	Peds	App. Total	Right	Thru	Left	Peds	App. Total	
03:15 PM	3	54	11	0	68	15	18	14	1	48	11	69	18	1	99	14	11	0	2	27	242
03:30 PM	1	52	11	0	64	13	14	13	3	43	13	54	28	0	95	9	8	0	0	17	219
03:45 PM	4	62	11	2	79	13	17	22	0	52	14	52	27	2	95	21	10	5	1	37	263
Total	8	168	33	2	211	41	49	49	4	143	38	175	73	3	289	44	29	5	3	81	724
04:00 PM	1	72	12	0	85	10	18	27	2	57	19	74	23	0	116	21	14	5	0	40	298
04:15 PM	2	53	12	3	70	16	22	12	2	52	11	65	38	0	114	18	9	1	0	28	264
04:30 PM	2	60	12	0	74	10	16	8	2	36	8	66	26	0	100	21	7	1	0	29	239
04:45 PM	0	64	14	0	78	8	14	13	0	35	14	81	30	1	126	18	8	1	0	27	266
Total	5	249	50	3	307	44	70	60	6	180	52	286	117	1	456	78	38	8	0	124	1067
05:00 PM	0	66	9	2	77	14	19	11	0	44	20	86	37	0	143	18	6	0	3	27	291
05:15 PM	3	85	15	2	105	8	11	22	6	47	11	60	34	0	105	13	13	2	0	28	285
05:30 PM	4	73	16	2	95	9	24	15	3	51	12	86	26	0	124	14	8	0	2	24	294
Grand Total	20	641	123	11	795	116	173	157	19	465	133	693	287	4	1117	167	94	15	8	284	2661
Apprch %	2.5	80.6	15.5	1.4		24.9	37.2	33.8	4.1		11.9	62	25.7	0.4		58.8	33.1	5.3	2.8		
Total %	0.8	24.1	4.6	0.4	29.9	4.4	6.5	5.9	0.7	17.5	5	26	10.8	0.2	42	6.3	3.5	0.6	0.3	10.7	
Unshifted	20	601	120	11	752	109	171	156	19	455	132	646	285	4	1067	166	94	15	8	283	2557
% Unshifted	100	93.8	97.6	100	94.6	94	98.8	99.4	100	97.8	99.2	93.2	99.3	100	95.5	99.4	100	100	100	99.6	96.1
Heavy Vehicles																					
% Heavy Vehicles	0	6.2	2.4	0	5.4	6	1.2	0.6	0	2.2	0.8	6.8	0.7	0	4.5	0.6	0	0	0	0.4	3.9



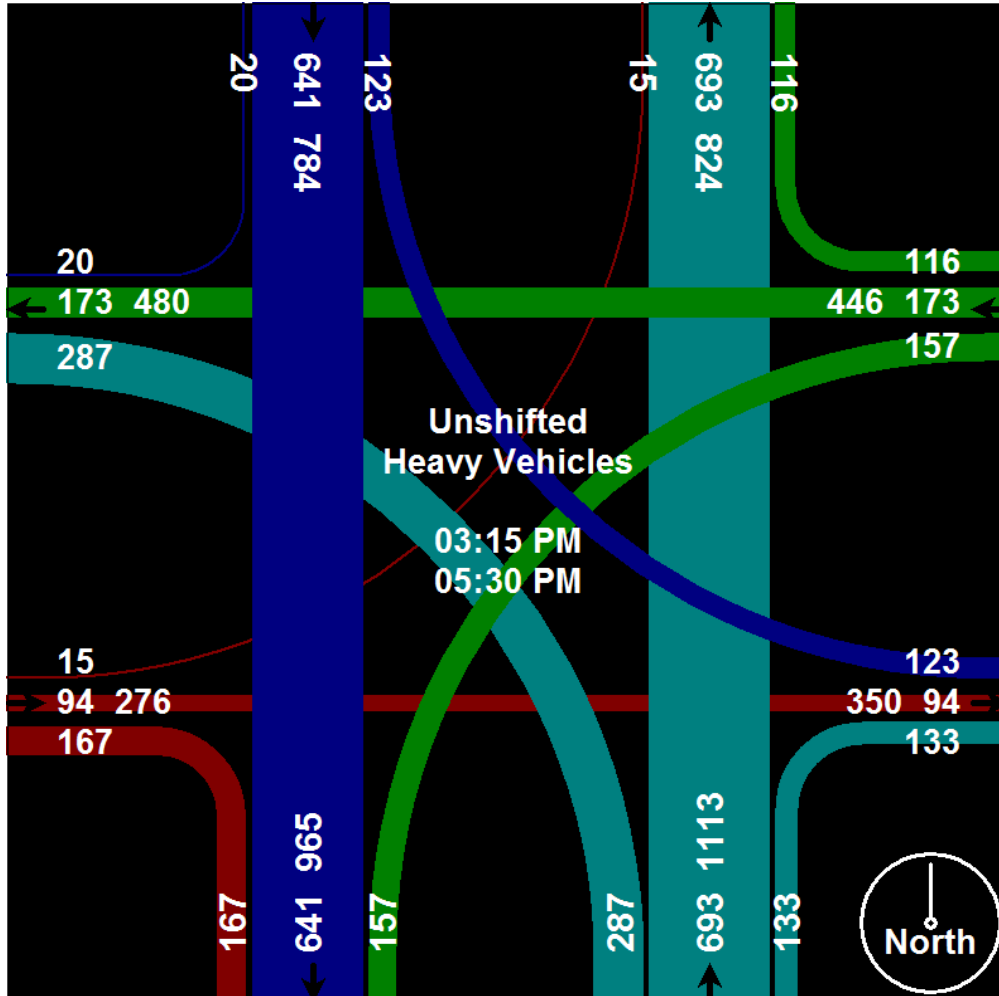
Binghamton Metropolitan Transportation Study

PO Box 1766
Binghamton, NY 13902

Your Tagline Here

Bobby Portorsnok
Front Court and Park
Owego
Warm and Windy

File Name : Front Court and Park PM 2015
Site Code : 236
Start Date : 4/29/2015
Page No : 2



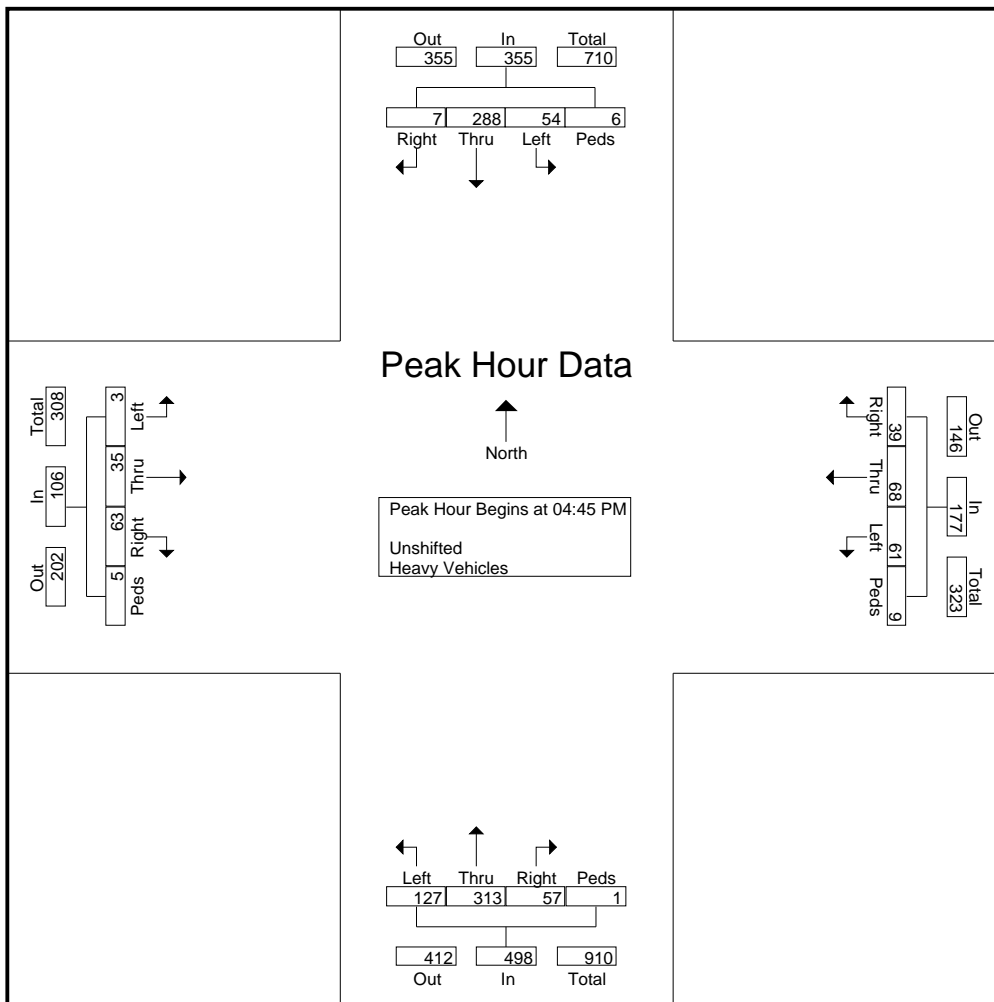
Binghamton Metropolitan Transportation Study

PO Box 1766
 Binghamton, NY 13902
Your Tagline Here

Bobby Portorsnok
 Front Court and Park
 Owego
 Warm and Windy

File Name : Front Court and Park PM 2015
 Site Code : 236
 Start Date : 4/29/2015
 Page No : 3

Start Time	From North					From East					From South					From West					Int. Total
	Right	Thru	Left	Peds	App. Total	Right	Thru	Left	Peds	App. Total	Right	Thru	Left	Peds	App. Total	Right	Thru	Left	Peds	App. Total	
Peak Hour Analysis From 03:15 PM to 05:30 PM - Peak 1 of 1																					
Peak Hour for Entire Intersection Begins at 04:45 PM																					
04:45 PM	0	64	14	0	78	8	14	13	0	35	14	81	30	1	126	18	8	1	0	27	266
05:00 PM	0	66	9	2	77	14	19	11	0	44	20	86	37	0	143	18	6	0	3	27	291
05:15 PM	3	85	15	2	105	8	11	22	6	47	11	60	34	0	105	13	13	2	0	28	285
05:30 PM	4	73	16	2	95	9	24	15	3	51	12	86	26	0	124	14	8	0	2	24	294
Total Volume	7	288	54	6	355	39	68	61	9	177	57	313	127	1	498	63	35	3	5	106	1136
% App. Total	2	81.1	15.2	1.7		22	38.4	34.5	5.1		11.4	62.9	25.5	0.2		59.4	33	2.8	4.7		
PHF	.438	.847	.844	.750	.845	.696	.708	.693	.375	.868	.713	.910	.858	.250	.871	.875	.673	.375	.417	.946	.966



Binghamton Metropolitan Transportation Study

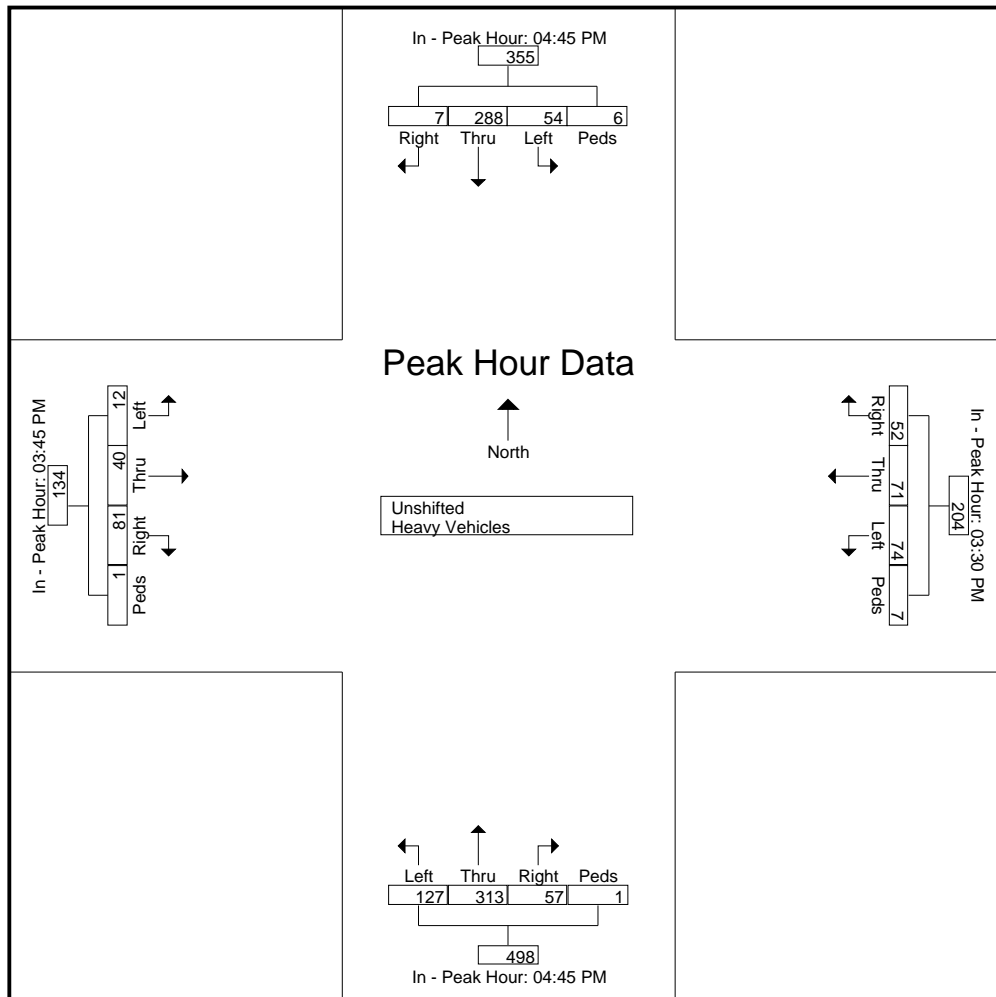
PO Box 1766
Binghamton, NY 13902

Your Tagline Here

Bobby Portorsnok
Front Court and Park
Owego
Warm and Windy

File Name : Front Court and Park PM 2015
Site Code : 236
Start Date : 4/29/2015
Page No : 4

Start Time	From North					From East					From South					From West					Int. Total
	Right	Thru	Left	Peds	App. Total	Right	Thru	Left	Peds	App. Total	Right	Thru	Left	Peds	App. Total	Right	Thru	Left	Peds	App. Total	
Peak Hour Analysis From 03:15 PM to 05:30 PM - Peak 1 of 1																					
Peak Hour for Each Approach Begins at:																					
	04:45 PM					03:30 PM					04:45 PM					03:45 PM					
+0 mins.	0	64	14	0	78	13	14	13	3	43	14	81	30	1	126	21	10	5	1	37	
+15 mins.	0	66	9	2	77	13	17	22	0	52	20	86	37	0	143	21	14	5	0	40	
+30 mins.	3	85	15	2	105	10	18	27	2	57	11	60	34	0	105	18	9	1	0	28	
+45 mins.	4	73	16	2	95	16	22	12	2	52	12	86	26	0	124	21	7	1	0	29	
Total Volume	7	288	54	6	355	52	71	74	7	204	57	313	127	1	498	81	40	12	1	134	
% App. Total	2	81.1	15.2	1.7		25.5	34.8	36.3	3.4		11.4	62.9	25.5	0.2		60.4	29.9	9	0.7		
PHF	.438	.847	.844	.750	.845	.813	.807	.685	.583	.895	.713	.910	.858	.250	.871	.964	.714	.600	.250	.838	



Binghamton Metropolitan Transportation Study

PO Box 1766
Binghamton, NY 13902

Your Tagline Here

Bobby Portorsnok
Front Court and Park
Owego
Warm and Windy

File Name : Front Court and Park PM 2015
Site Code : 236
Start Date : 4/29/2015
Page No : 5

